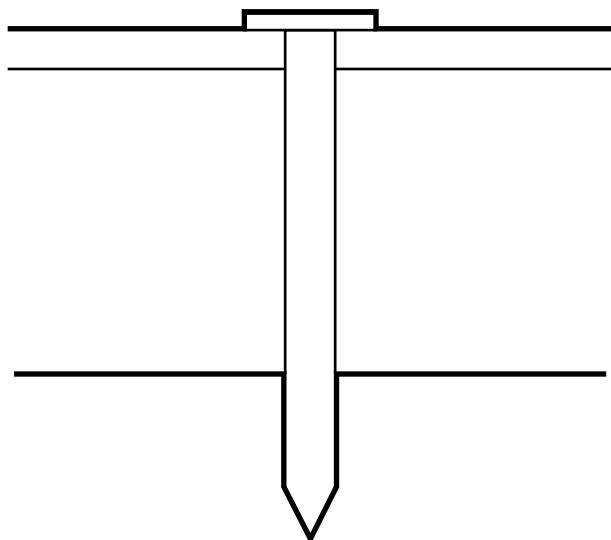
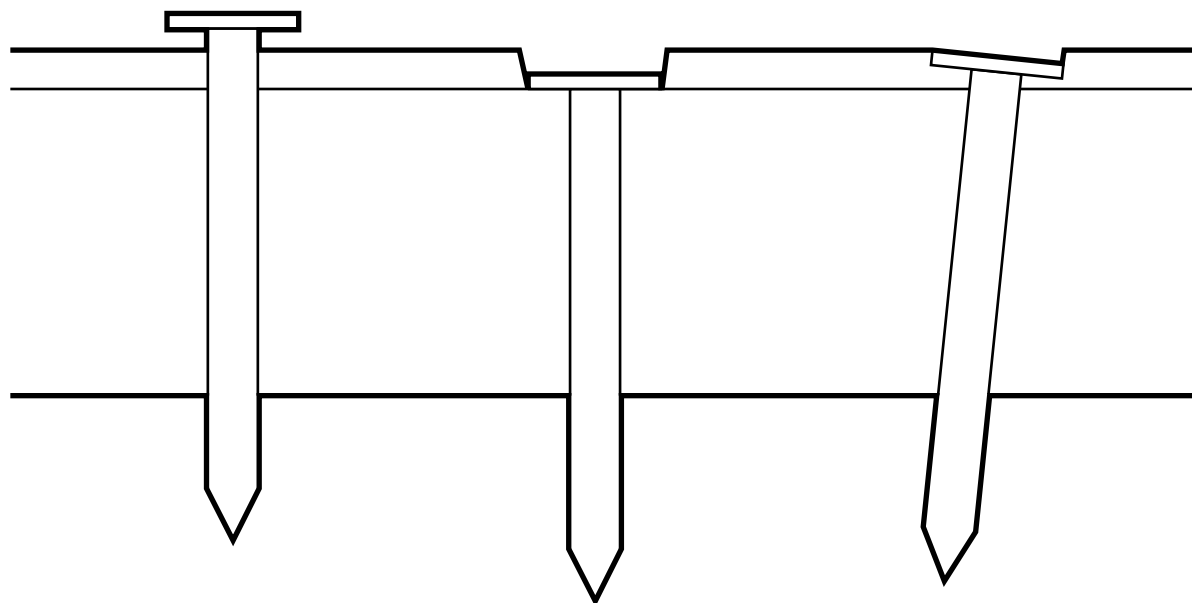


## DETAIL 26: FASTENER PENETRATION REQUIREMENTS

PROPERLY DRIVEN



IMPROPERLY DRIVEN



UNDERDRIVEN

OVERDRIVEN

CROOKED

Structure detail & nailing schedule to be established by design professional.