

Design for Combined Shear and Uplift from Wind

1. BASIS OF THE APA SYSTEM REPORT

- 2015, 2012, and 2009 International Building Code: Sections 104.11, Alternative materials, design and methods of construction and equipment, and 1604.4, Analysis
- 2015, 2012, and 2009 and International Residential Code: Sections R104.11, Alternative materials, design and methods of construction and equipment, and R301.1.3, Engineered design
- 2010 and 2007 Florida Building Code, Building, Sections 104.11, Alternative materials, design and methods of construction and equipment, and 1604.4, Analysis
- 2015 ANSI/AWC National Design Specification for Wood Construction (NDS)
- 2010 ASCE/SEI 7-10 Minimum Design Loads for Buildings and Other Structures
- 2015 ANSI/AWC Special Design Provisions for Wind and Seismic (SDPWS)
- 2015 ANSI/AWC Wood Frame Construction Manual (WFCM)
- APA Test Reports, *Combined Shear and Uplift Tests on 7/16-inch Oriented Strand Board Panels, Combined Shear and Wind Uplift Tests with 10d Common Nails*, and *Development of Anchor Bolt Spacings for Combined Shear and Uplift Applications*

2. SYSTEM DESCRIPTION

Using wood structural panels that are required to resist lateral loads and normal wind load requirements of the IBC Section 1609.6.4.4.1, Chapter 30 of ASCE-7, or IRC Section R301.2.1, additional wind uplift resistance from the panel can be achieved by providing additional nails to the shear nailing at the top and bottom of the panel. These additional nails are used to transfer the uplift forces from the top plate to the panel, from panel to panel at splice locations (if present) and from panel to sill plate at the foundation, effectively eliminating the need for uplift straps at these locations. Uplift straps may still be required around window and door openings in exterior walls to transfer the wind uplift loads acting on the header to the foundation below.

3. METHODOLOGY

Wood structural panel sheathing or siding shall be permitted to simultaneously resist shear and wind uplift loads provided the following conditions are met:

- Panels shall have a minimum thickness of 7/16 Performance Category and may be installed with the strength axis parallel or perpendicular to the studs,
- Anchor bolt spacing shall be in accordance with Table 1, depending on the magnitude of shear and uplift forces,
- 3- x 3- x 0.229-inch steel plate washers shall be used at anchor bolt locations,
- Nails in any single row shall not be spaced closer than 3 inches on center, and
- Nails in any double rows shall be spaced 1/2 inch between rows.
- Framing anchors and uplift straps that form all parts of the wind uplift resistance system shall be attached to framing on the wood structural panel sheathing side of the exterior walls.

The above conditions effectively eliminate the cross-grain bending as a failure mode in the bottom plate, as shown by full-scale test results. Assuming conditions are met, the following steps may be used to design wood structural panel sheathing or siding to simultaneously resist shear and wind uplift loads.

TABLE 1

ANCHOR BOLT SPACING (INCHES) FOR COMBINED SHEAR AND WIND UPLIFT^(a)

Nail Size	Allowable Design Shear (plf)			Allowable Design Uplift (plf)									
	G = 0.50	0	108	216	324	432	540	648	729	864	972	1,080	
	G = 0.42	0	100	200	300	400	500	600	675	800	900	1,000	
8d (0.131" x 2-1/2")	0	0	48 ^(c)	42	36	36	32	24	24	19.2	16	(b)	(b)
	200	184	48	42	36	36	32	24	24	19.2	16	(b)	(b)
	335	308	36	32	24	24	24	24	19.2	19.2	16	(b)	(b)
	490	451	24	24	19.2	19.2	19.2	16	16	(b)	(b)	(b)	(b)
10d (0.148" x 3")	0	0	48	42	36	36	32	24	24	19.2	16	16	16
	200	184	48	42	36	36	32	24	24	19.2	16	(b)	(b)
	435	400	24	24	24	19.2	19.2	19.2	16	16	(b)	(b)	(b)

G = specific gravity of framing members in accordance with the NDS.

(a) The minimum wall sheathing thickness shall be in accordance with Footnote c to Table 4.

(b) Outside the scope of SDPWS.

(c) This anchor bolt spacing is provided for interpolation purposes.

Step 1—Design the shear walls

The first step in designing for combined shear and wind uplift is to design the shear walls for the structure under the applied wind loads. This method may be used for either the conventional segmented shear wall or perforated shear wall methods. When using the segmented method, a table similar to Table 2 of this report can be used to determine the required panel thickness (Performance Category), nail size, and spacing for the individual shear walls. Note that a minimum 7/16 Performance Category wood structural panel sheathing or siding panel must be used.

When using the perforated shear wall method, an additional step is required in the shear wall design. This is the step where the Shear Resistance Adjustment Factor (C_o) is used to adjust the Table 2 design values for the geometry of the wall penetrations (see *AWC Special Design Provisions for Wind and Seismic*). Once the perforated shear wall design is complete, however, the nailing type and schedule information is used in exactly the same way as discussed in Step 3. Information on the perforated shear wall design method is available in Section 4.3 of the *AWC Special Design Provisions for Wind and Seismic*.

Also note that wind uplift loads must be distributed around the opening and into the structure below. This may require hardware specifically designed for such applications.

Step 2—Determine required uplift

The required wind uplift at the top of the wall can be found prescriptively by using Table 3, which was taken from the *AWC Wood Frame Construction Manual (WFCM)*. Note that the WFCM tables are based on “nominal” values and must be divided by 2.0 to achieve allowable stress design values for use in this publication. The wind values in the WFCM already include the 1.4 load duration adjustment for wind.

Step 3—Determine combined shear and uplift nailing

Based on the nail size and spacing determined in Step 1, find an uplift capacity larger than or equal to the required wind uplift loads determined in Step 2 using Table 4.

4. DESIGN CAPACITIES

TABLE 2

**ALLOWABLE SHEAR CAPACITIES FOR WOOD STRUCTURAL PANEL SHEAR WALLS FOR WIND LOADS
(for Allowable Stress Design)^(a)**

Sheathing Material	Sheathing Performance Category	Nail Size ^(d)	Framing Species $G \geq 0.50$				Framing Species $0.50 > G \geq 0.46$				Framing Species $0.46 > G \geq 0.42$			
			Panel Edge Nail Spacing (in.) ^(b)											
			6	4	3	2 ^(c)	6	4	3	2 ^(c)	6	4	3	2 ^(c)
			Recommended Shear Capacity (plf)											
Structural I	7/16	8d	355 ^(e)	550 ^(e)	705 ^(e)	935 ^(e)	340 ^(e)	525 ^(e)	675 ^(e)	895 ^(e)	325 ^(e)	505 ^(e)	650 ^(e)	865 ^(e)
		15/32	8d	390	600	770	1020	375	575	740	980	360	555	710
			10d	475	715	930	1215	455	685	890	1165	440	660	860
Sheathing Grade, Plywood Siding	7/16	8d	335 ^(e)	490 ^(e)	630 ^(e)	820 ^(e)	320 ^(e)	470 ^(e)	605 ^(e)	785 ^(e)	310 ^(e)	450 ^(e)	580 ^(e)	755 ^(e)
		15/32	8d	365	530	685	895	350	510	655	860	335	490	630
			10d	435	645	840	1075	415	620	805	1030	400	595	775
	19/32	10d	475	715	930	1215	455	685	890	1165	440	660	860	1125

G = Specific gravity of framing members.

(a) Not all nail spacings are appropriate for combined shear and wind uplift applications.

(b) Nails of the same size required for panel edges and shall be placed along all intermediate framing at 12 inches on center.

(c) Where panel edges abut, stud framing shall be a minimum of 3 inches in nominal thickness, and nails in each row shall be staggered. In lieu of a single common framing member, two framing members that are at least 2 inches in nominal thickness shall be permitted provided they are fastened together with fasteners designed in accordance with the NDS to transfer the induced shear between members. When fasteners connecting the two framing members are spaced less than 4 inches on center, they shall be staggered.

(d) Common or galvanized box nails. Minimum nail penetration in framing shall be 1-3/8 inches for 8d nails and 1-1/2 inches for 10d nails.

(e) Allowable shear values are permitted to be increased to values shown for 15/32 Performance Category sheathing with the same nailing, provided studs are spaced a maximum of 16 inches on center.

TABLE 3

**UPLIFT CONNECTION LOADS FROM WIND (FOR ROOF-TO-WALL, WALL-TO-WALL, AND WALL-TO-FOUNDATION)
(Adopted from Table 2.2A of the 2015 Wood Frame Construction Manual, Courtesy of American Wood Council)**

700-Year Wind Speed 3-Second Gust (mph)		110	115	120	130	140	150	160	170	180	195
Roof/Ceiling Assembly Design Dead Load	Roof Span (ft)	Unit Connection Loads (plf) ^{(a)(b)(c)(d)(e)(f)(g)}									
0 psf ^(h)	12	118	128	140	164	190	219	249	281	315	369
	24	195	213	232	272	315	362	412	465	521	612
	36	272	298	324	380	441	506	576	650	729	856
	48	350	383	417	489	567	651	741	836	938	1100
	60	428	468	509	598	693	796	906	1022	1146	1345
10 psf	12	70	80	92	116	142	171	201	233	267	321
	24	111	129	148	188	231	278	328	381	437	528
	36	152	178	204	260	321	386	456	530	609	736
	48	194	227	261	333	411	495	585	680	782	944
	60	236	276	317	406	501	604	714	830	954	1153
15 psf	12	46	56	68	92	118	147	177	209	243	297
	24	69	87	106	146	189	236	286	339	395	486
	36	92	118	144	200	261	326	396	470	549	676
	48	116	149	183	255	333	417	507	602	704	866
	60	140	180	221	310	405	508	618	734	858	1057
20 psf	12	22	32	44	68	94	123	153	185	219	273
	24	27	45	64	104	147	194	244	297	353	444
	36	32	58	84	140	201	266	336	410	489	616
	48	38	71	105	177	255	339	429	524	626	788
	60	44	84	125	214	309	412	522	638	762	961
25 psf	12	—	8	20	44	70	99	129	161	195	249
	24	—	3	22	62	105	152	202	255	311	402
	36	—	—	24	80	141	206	276	350	429	556
	48	—	—	27	99	177	261	351	446	548	710
	60	—	—	29	118	213	316	426	542	666	865

(a) Tabulated unit uplift connection loads shall be permitted to be multiplied by 0.75 for framing not located within 6 ft of corners for buildings less than 30 ft in width (W), or W/5 for buildings greater than 30 ft in width.

(b) Tabulated uplift loads assume a building located in Exposure B with a mean roof height of 33 ft. For buildings located in other exposures, the tabulated values for 0 psf roof dead load shall be multiplied by the appropriate adjustment factor below (Table 2.1.3.1 of the WFCM) and then reduced by the appropriate dead load.

Mean roof height (ft)	0 - 15	20	25	30	33
Exposure C	1.18	1.25	1.31	1.36	1.39
Exposure D	1.43	1.50	1.56	1.61	1.64

(c) Tabulated uplift loads are specified in pounds per linear ft of wall. To determine connection requirements, multiply the tabulated unit uplift load by the multiplier from the table below corresponding to the spacing of the connectors:

Connection Spacing (in.)	12	16	19.2	24	48
Multiplier	1.00	1.33	1.60	2.00	4.00

(d) Tabulated uplift loads equal total uplift minus 0.6 of the roof/ceiling assembly design dead load.

(e) Tabulated uplift loads are specified for roof-to-wall connections. When calculating uplift loads for wall-to-wall or wall-to-foundation connections, tabulated uplift loads shall be permitted to be reduced by 73 plf for each wall above.

(f) When calculating uplift loads for ends of headers/girders, multiply the tabulated unit uplift load by half of the header/girder span (ft). Cripple studs need only be attached per typical uplift requirements.

(g) For jack rafter uplift connections, use a roof span equal to half the jack rafter length. The jack rafter length includes the overhang length and the jack rafter span.

(h) Tabulated uplift loads for 0 psf design loads are included for interpolation or use with actual roof dead loads.

TABLE 4

UPLIFT CAPACITY (ALLOWABLE STRESS DESIGN) OF WOOD STRUCTURAL PANEL SHEATHING OR SIDING WHEN USED TO SIMULTANEOUSLY RESIST SHEAR AND WIND UPLIFT LOADS^{(a),(b)}

	Nail Spacing Required for Shear Wall Design ^(c) – See Table 2											
	6d@6" & 12"			8d@6" & 12"			8d@4" & 12"			10d@6" & 12"		
	Alternate Nail Spacing at Top and Bottom Plate Edges (in.), S ^(f)											
	6	4	3	6	4	3	6	4	3	6	4	3
Uplift Capacity (plf) ^(a)												
NAILS—SINGLE ROW ^(d)	0	84	168	0	108	216	NP	0	108	0	131	262
NAILS—DOUBLE ROW ^(e)	168	336	504	216	432	648	108	324	540	262	524	786

(a) The framing species shall have a published specific gravity of 0.42 (spruce-pine-fir) or greater. For framing with a specific gravity of 0.49 or greater, multiply uplift values listed in above table by 1.08.

(b) Anchor bolts shall be installed in accordance with Table 1. Nail dimensions are: 6d – 0.113" x 2"; and 8d – 0.131" x 2-1/2"; and 10d – 0.148" x 3".

(c) Where nail size is 6d or 8d, the tabulated uplift values are applicable to 7/16 Performance Category minimum OSB panels or 15/32 Performance Category minimum plywood with species of plies having a specific gravity of 0.49 or greater. Where nail size is 10d, the tabulated uplift values are applicable to 15/32 Performance Category minimum OSB or plywood with a species of plies having a specific gravity of 0.49 or greater. For plywood with other species, multiply the tabulated uplift values by 0.90.

(d) Wood structural panels shall overlap the top member of the double top plate and bottom plate by 1-1/2 inches and a single row of fasteners shall be placed 3/4 inch from the panel edge.

(e) Wood structural panels shall overlap the top member of the double top plate and bottom plate by 1-1/2 inches. Rows of fasteners shall be 1/2 inch apart with a minimum edge distance of 1/2 inch. Each row shall have nails at the specified spacing.

(f) Alternate nail spacing (S) is nail spacing that includes both the shear nailing and uplift nailing. See Figures 1 through 4.

5. DESIGN EXAMPLES

A designer wants to use a conventional segmented shear wall segment for combined shear and uplift in a structure being designed for high wind. The shear on the wall segment is determined to be 420 plf and the uplift along this wall segment is 570 plf. The framing, including bottom plate, is southern pine ($G = 0.55$) with studs at 16 inches on center.

Step 1—Design the shear walls

From Table 2, using sheathing-grade wood structural panels, a 7/16 Performance Category is selected and attached with 8d nails at 4 inches on center at panel edges and 12 inches on center in the field of the panel. This yields a shear capacity of 490 plf. Note that this value may be increased to 530 plf (see Footnote e to Table 2), because the studs are spaced at 16 inches on center. $530 > 420$, therefore OK.

Step 2—Determine the required uplift force

The uplift force is given as 570 plf.

Step 3—Determine combined shear and uplift nailing

From Table 4, based on 8d nails at 4 and 12 inches on center, look for any number that is larger than or equal to 570 plf. There is none. Notice, however, that a double row of nails at 3 inches on center yields a capacity of 540 plf and that Footnote a to Table 4 provides an 8 percent increase for framing with a specific gravity of 0.49 or higher $540 \text{ plf} \times 1.08 = 586 \text{ plf}$. $586 > 570$, therefore OK.

The designer should specify a double row of 8d nails at 3 inches on center at top and bottom plates (see Footnote f to Table 4 and Figures 1 through 4), which satisfies the combined shear and uplift requirements for this wall segment. For the shear of 420 plf and uplift of 570 plf, this segment is required to use 5/8-inch anchor bolts spaced at 16 inches on center with 3- x 3- x 0.229-inch square steel plate washers from Table 1 (8d nails and framing G of 0.50).

Note that the designer must still size the hold down for the ends of the segmented shear wall based only on the design shear, as is done in shear walls designed for shear only. Similarly, for the perforated shear wall method, hold downs are required at the ends of the perforated wall and are designed in the same manner as walls without wind uplift. Uplift forces resulting from wind uplift at headers over windows and doors may still have to be resisted by straps or other tie-down devices as when conventionally framed.

6. INSTALLATION REQUIREMENTS

The installation of wood structural panel walls for resisting combined shear and wind uplift loads shall be as follows:

- a. Multiple rows of nails applied at panel ends and edges shall be installed in accordance with Figure 1. Panel splice that occurs across studs or horizontal framing such as rim joists shall be installed in accordance with Figure 2.
- b. All horizontal joints shall occur over framing or blocking and shall be attached per Figures 2, 3 and 4.
- c. On single-story construction, panels shall be attached to bottom plates and top member of the double top plate. Lowest plate shall be attached to foundation with minimum 5/8-inch bolts at a specified spacing with 3- x 3- x 0.229-inch steel plate washers, and with minimum embedment of 7 inches or by connectors of sufficient capacity to resist the uplift and shear loads developed in the wood structural panel sheathing or siding walls.
- d. On two-story construction, upper panels shall be attached to the top member of the upper double top plate and to rim joist at bottom of panel. The panel edges need not fall in the center of the rim joist. Upper attachment of lower panel shall be made to rim joist and lower attachment made to lowest plate at first-floor framing, which shall be attached to foundation with minimum 5/8-inch bolts at a specified spacing with 3- x 3- x 0.229-inch steel plate washers, and minimum embedment of 7 inches or by connectors of sufficient capacity to resist the wind uplift and shear loads developed in the wood structural panel sheathing or siding walls. When a shear and uplift connection is made at a rim joist or with an inter-story splice, the rim joists and/or splice plates must have the ability to withstand the resulting tensile stresses perpendicular to the grain. Since sawn lumber, glulam and most SCL do not have a published allowable tensile stress perpendicular to the grain, the shear and uplift connection can be made by a wood structural panel splice plate that is sandwiched between the wall sheathing/siding and the rim joist or splice plate. This wood structural panel splice plate must be of the same thickness, grade and strength axis orientation as the wall sheathing/siding material. This can be seen in Figures 5 and 6. Note that OSB or plywood rim joists are a suitable material for the shear and uplift splice connections shown in Figures 2 through 6.

If a wood structural panel splice plate is to be used over a lumber rim joist, due to the potential for shrinkage of the lumber as it dries out, the wood structural panel splice plate shall be cut slightly under height (approximately 1/4 inch) to permit room for shrinkage of the rim joist.

- e. Where windows and doors interrupt wood structural panel sheathing or siding, framing anchors or connectors shall be used to resist the appropriate wind uplift loads, as required.
- f. Roof or upper level uplift connectors shall be installed on the same side of the wall as the sheathing to prevent twisting of the top plate due to eccentric loading. This may be accomplished by installing the roof to wall connectors (hurricane ties) on the outside of the wall beneath the wood structural panel sheathing. It is also possible to install the roof to wall connectors (hurricane ties) on the outside of the wall over the wood structural panel sheathing or to install both the roof to wall connectors (hurricane ties) and top plate to stud connectors on the inside of the wall when the recommendations of connector manufacturers, such as Simpson Strong-Tie, (www.strongtie.com) are followed.

FIGURE 1

PANEL ATTACHMENT FOR SHEAR AND UPLIFT

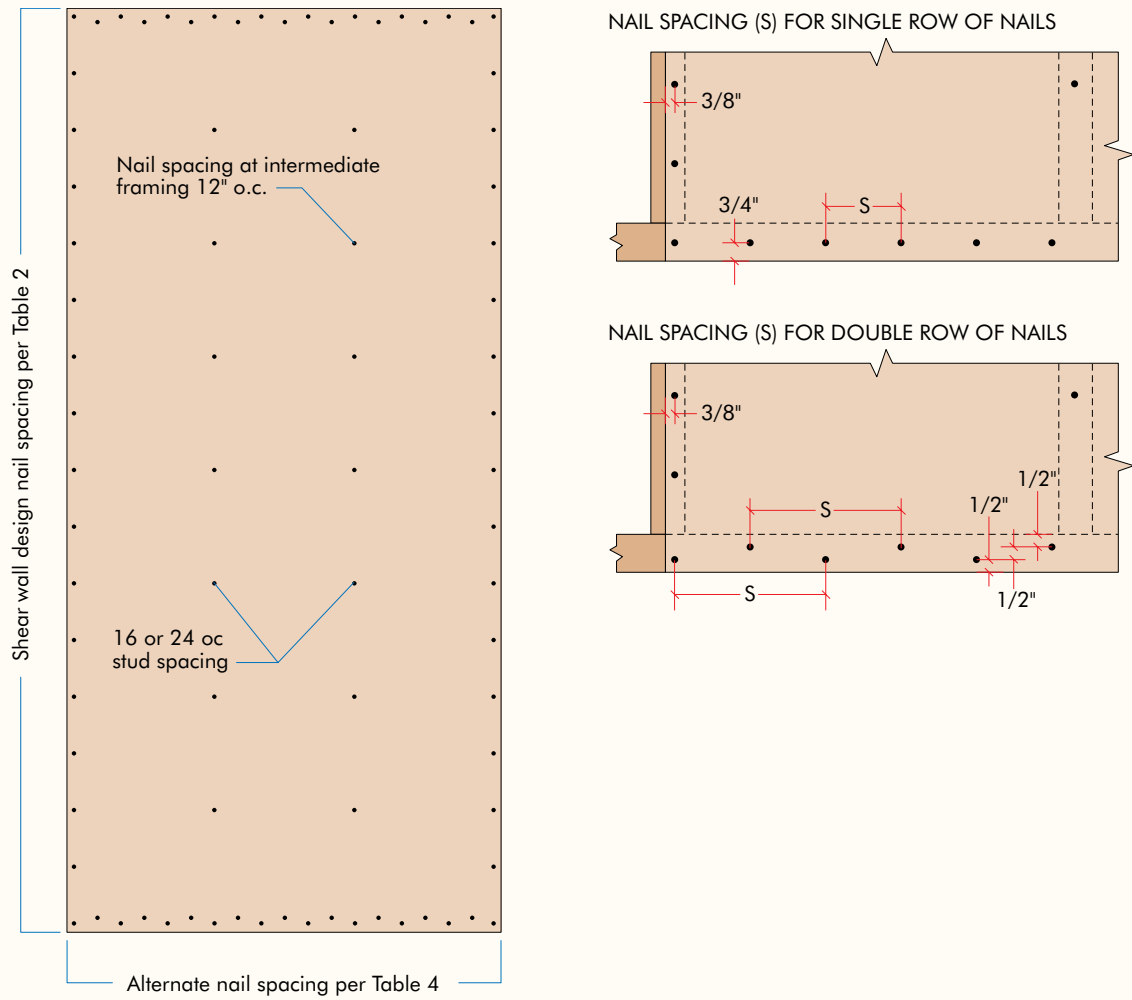
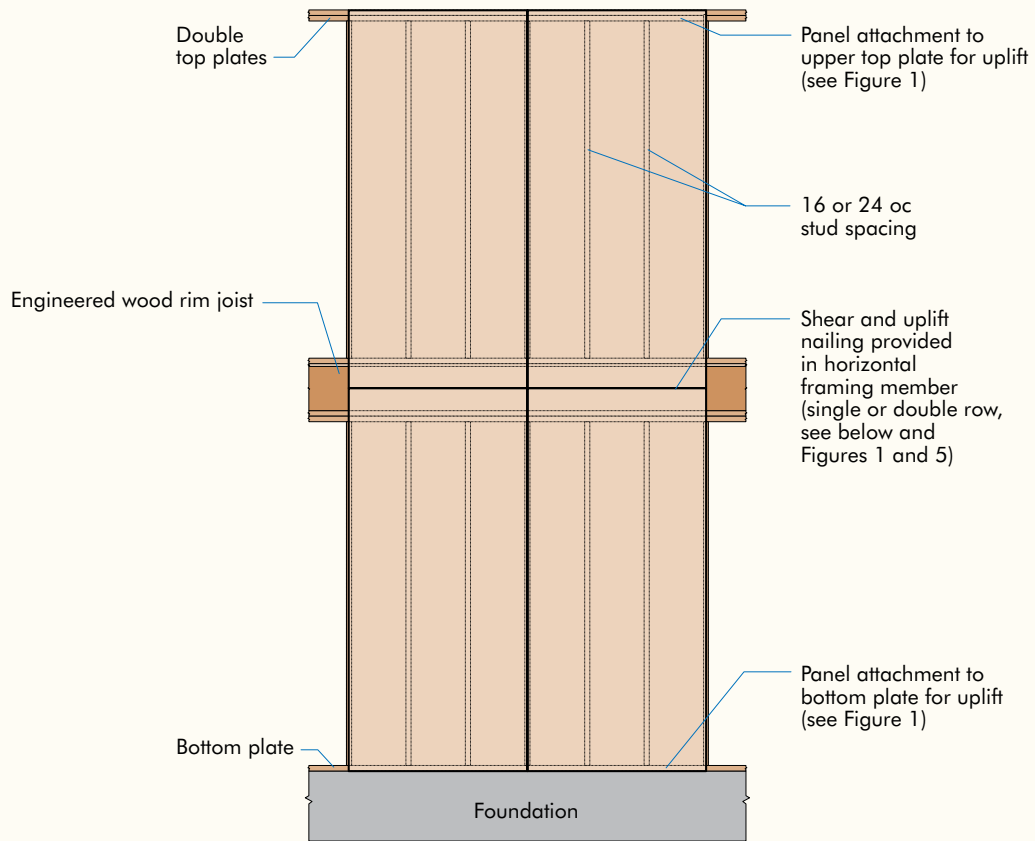
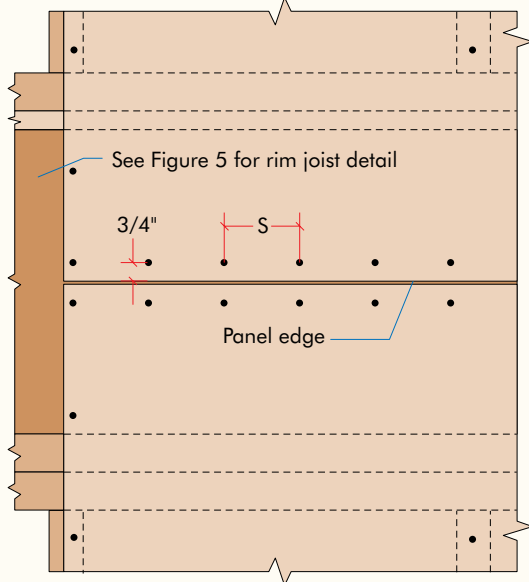


FIGURE 2

PANEL ATTACHMENT FOR SHEAR AND UPLIFT—AT RIM JOIST



**NAIL SPACING (S) FOR SINGLE ROW OF NAILS—
Minimum Edge Distance Shown**



**NAIL SPACING (S) FOR DOUBLE ROW OF NAILS—
Minimum Edge Distance Shown**

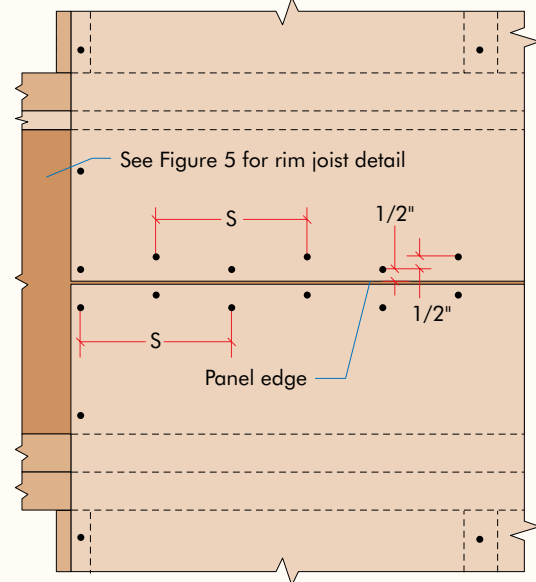
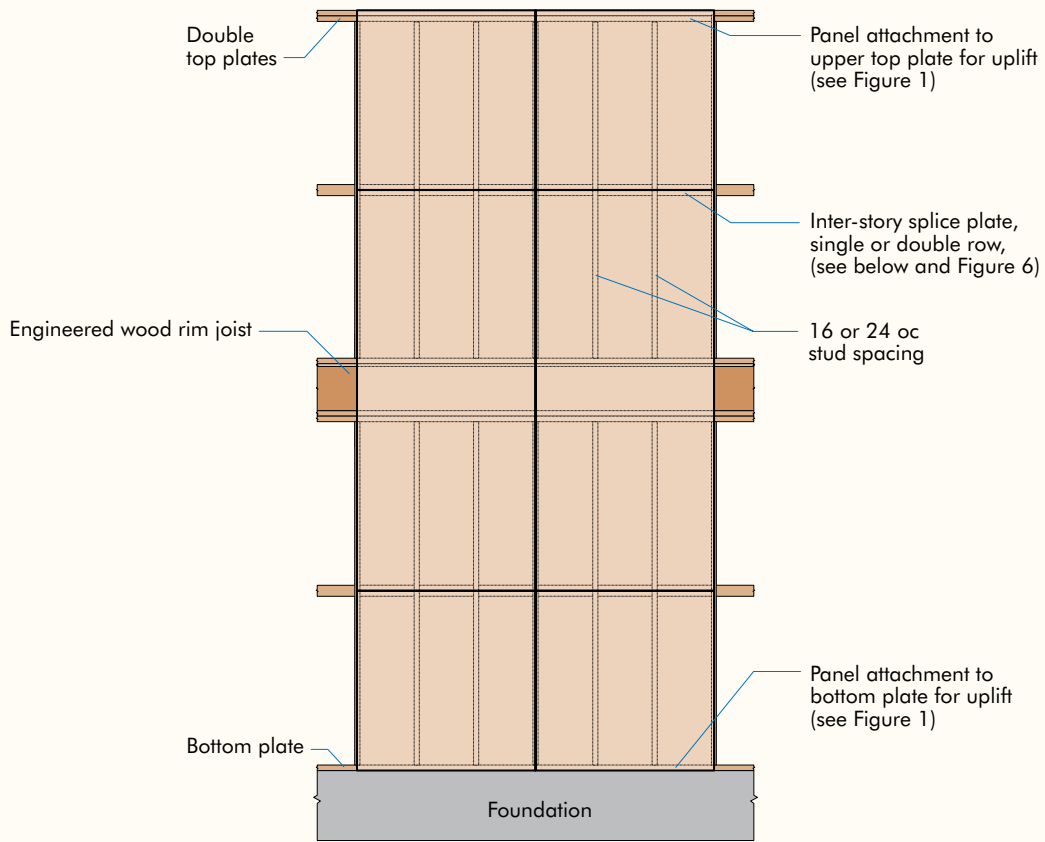
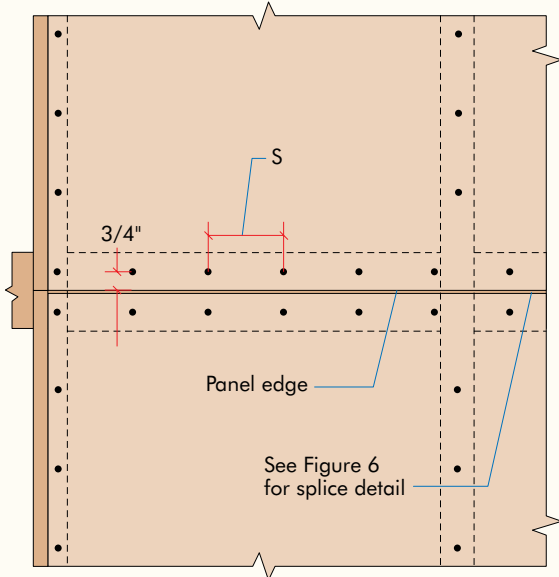


FIGURE 3

PANEL ATTACHMENT FOR SHEAR AND UPLIFT—AT INTER-STORY SPLICE PLATE



NAIL SPACING (S) FOR SINGLE ROW OF NAILS—
Minimum Edge Distance Shown



NAIL SPACING (S) FOR DOUBLE ROW OF NAILS—
Minimum Edge Distance Shown

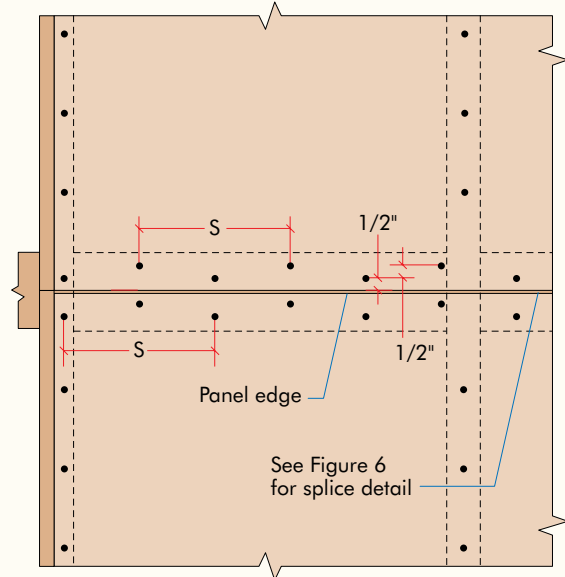


FIGURE 4

PANEL ATTACHMENT FOR SHEAR AND UPLIFT—AT RAISED WOOD FLOOR

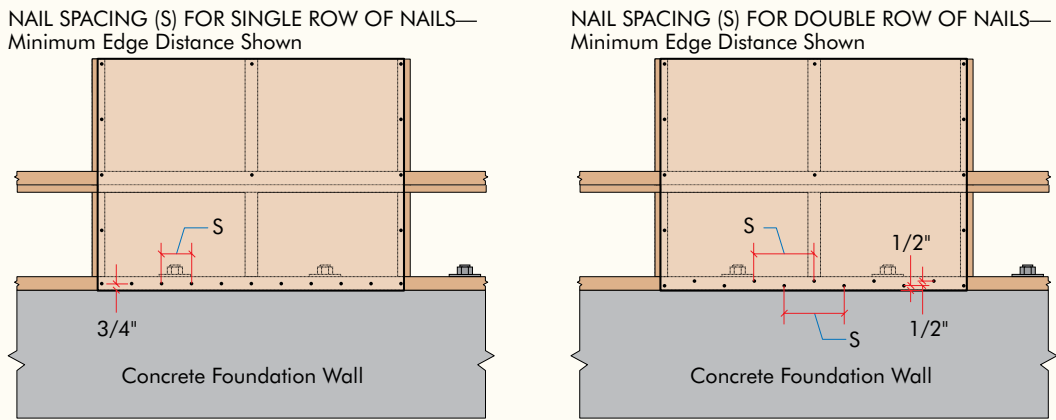
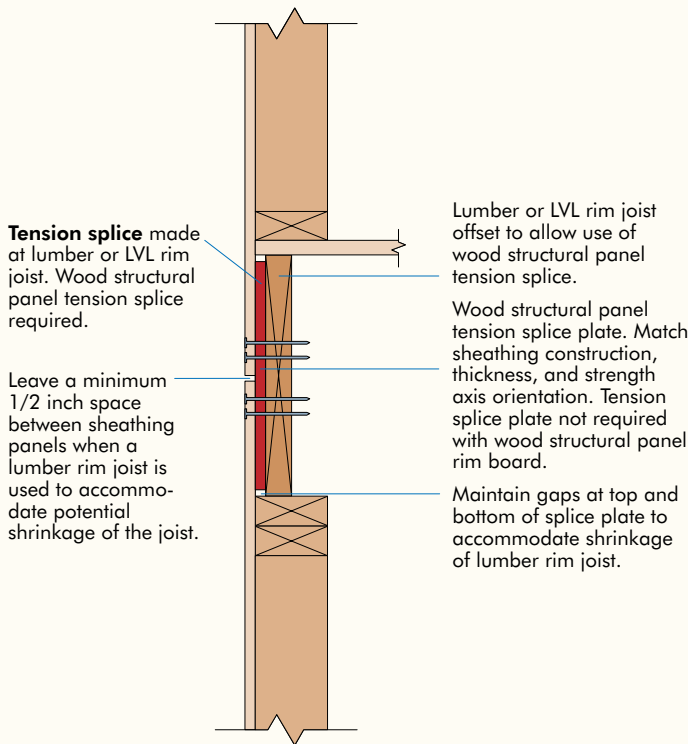


FIGURE 5

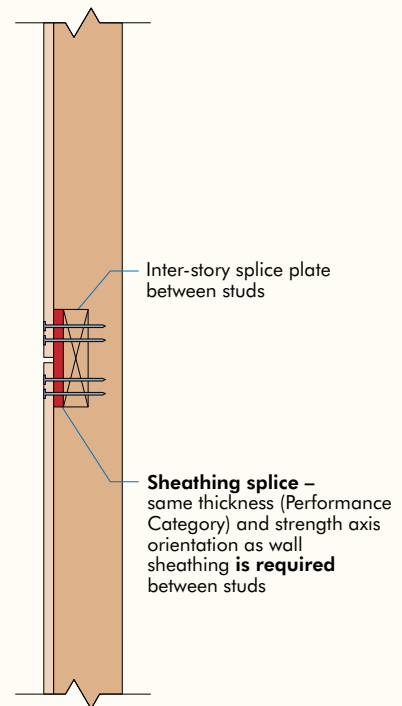
TENSION SPLICE MADE AT LVL OR LUMBER RIM JOIST, SHOWING OFFSET RIM JOIST TO PERMIT THE USE OF WOOD STRUCTURAL PANEL TENSION SPLICE PLATE



Note: Only the uplift nailing at the splice is shown for clarity. A complete load path may include additional nails in the panel tension splice plate's upper and lower half and additional nails for shear transfer. Number of nails shown is for example only. Actual number required will depend on design uplift, panel thickness (Performance Category), nail size, dead-load weight of overlying structure and lumber species.

FIGURE 6

REQUIRED SHEATHING/SIDING SHEAR AND UPLIFT SPLICE BETWEEN PLATES



- g.** When wood structural panels are used and centered over the rim joist, as shown in Figure 3, an engineered wood rim board is recommended for dimension (depth) compatibility with I-joist floor framing and low dimensional changes.

7. LIMITATIONS

Recommendations provided in this report are subject to the following conditions:

- a.** The structural systems provided in this report shall be designed by a design professional qualified in wood design and installed in accordance with the installation requirements specified in this report.
- b.** The structural systems shall be constructed with wood structural panels meeting the requirements of DOC PS 1 or PS 2 and trademarked by an approved agency required by the code.
- c.** The structural systems shall be limited to dry service conditions where the average equilibrium moisture content for solid-sawn lumber is less than 16 percent.
- d.** This report is subject to review in one year. The latest copy of this report can be downloaded from www.apawood.org/resource-library.

Design for Combined Shear and Uplift from Wind

APA – The Engineered Wood Association is an accredited certification body under ISO/IEC 17065 by Standards Council of Canada (SCC) and an accredited inspection agency by the International Code Council (ICC) International Accreditation Service (IAS) under ISO/IEC 17020. APA is also a testing organization accredited by IAS under ISO/IEC 17025. APA is a recognized testing laboratory by Miami-Dade County, and a Product Testing Laboratory, Product Quality Assurance Entity, and Product Validation Entity by the Florida Department of Business and Professional Regulation.

APA HEADQUARTERS

7011 So. 19th St. • Tacoma, Washington 98466
(253) 565-6600 • Fax: (253) 565-7265

PRODUCT SUPPORT HELP DESK

(253) 620-7400 • help@apawood.org

DISCLAIMER

APA System Report® is a trademark of APA – The Engineered Wood Association, Tacoma, Washington. The information contained herein is based on APA – The Engineered Wood Association's continuing programs of laboratory testing, product research, and comprehensive field experience. Neither APA, nor its members make any warranty, expressed or implied, or assume any legal liability or responsibility for the use, application of, and/or reference to opinions, findings, conclusions, or recommendations included in this publication. Consult your local jurisdiction or design professional to assure compliance with code, construction, and performance requirements. Because APA has no control over quality of workmanship or the conditions under which engineered wood products are used, it cannot accept responsibility for product performance or designs as actually constructed.



Form No. SR-101C/Revised February 2015



REPRESENTING THE ENGINEERED WOOD INDUSTRY